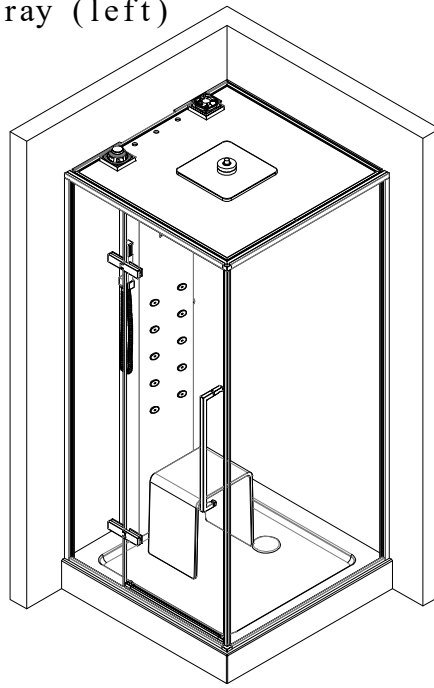
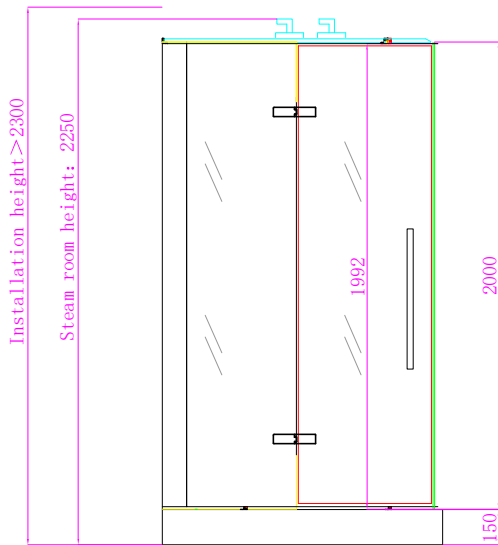


Model: Hamam Style IV with a tray (left)

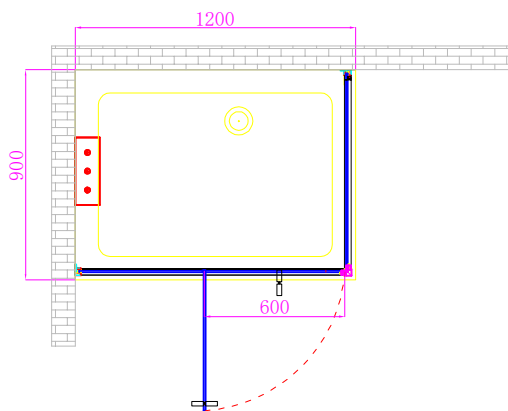
Size: 1200x900x2250mm



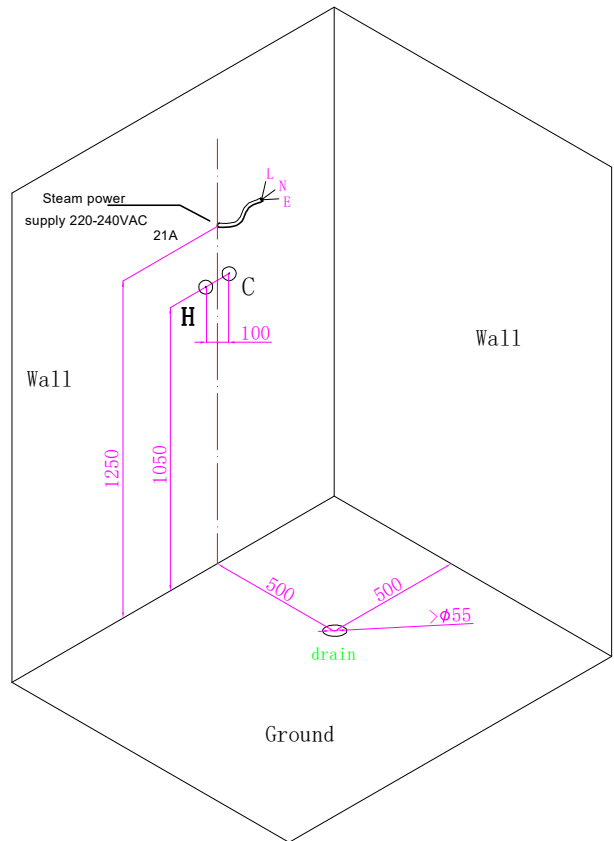
Axonometric Drawing



Elevation Drawing



Plane Graph



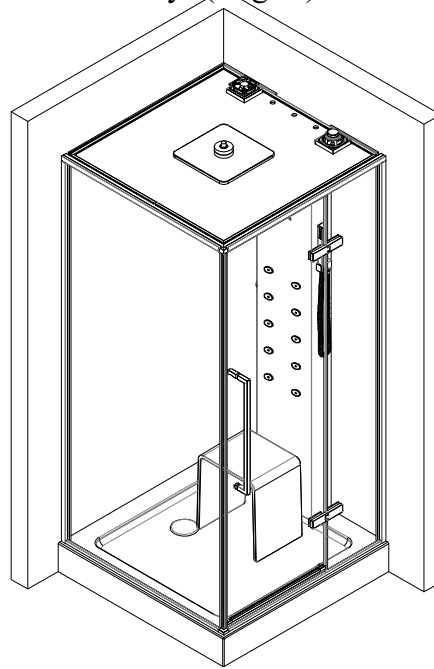
Water & Power Supply Connection Drawing

Water & Power Supply Connection

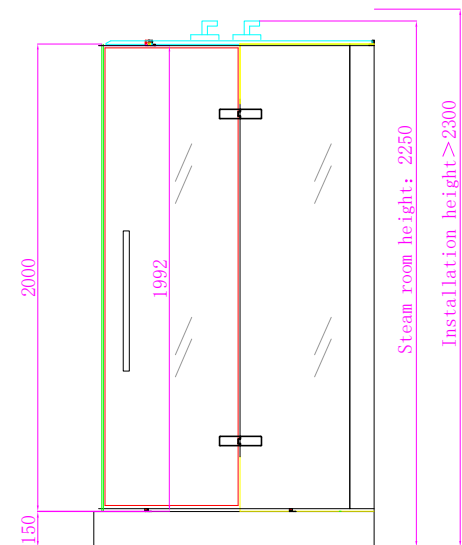
- --- Drain Pipe (inner diameter > 55mm, to drain waste water of the steam room)
- ⊙ ⊙ --- Cold/hot water supply pipe (reserved length 30mm, G 1/2" metric external thread. H=hot water, C=cold water, used for faucet water in)
- Ⓛ Ⓜ Ⓝ --- Power wire (reserved length 200mm, square numbers of electric wire: 3X2.5mm².)

Model: Hamam Style IV with a tray (right)

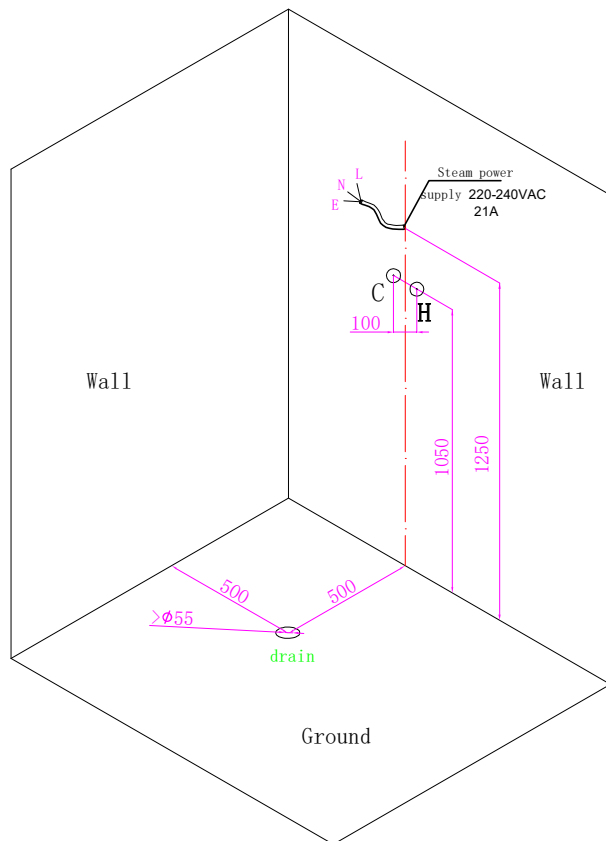
Size: 1200x900x2250mm



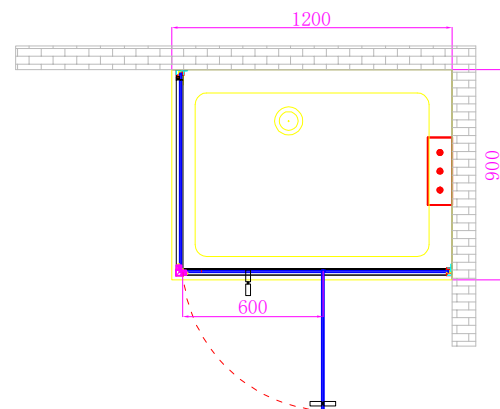
Axonometric Drawing



Elevation Drawing



Water & Power Supply Connection Drawing



Plane Graph

Water & Power Supply Connection

- --- Drain Pipe (inner diameter > 55mm, to drain waste water of the steam room)
- ● --- Cold/hot water supply pipe (reserved length 30mm, G 1/2" metric external thread. H=hot water, C=cold water, used for faucet water in)
- Ⓝ Ⓛ Ⓟ --- Power wire (reserved length 200mm, square numbers of electric wire: 3X2.5mm².)