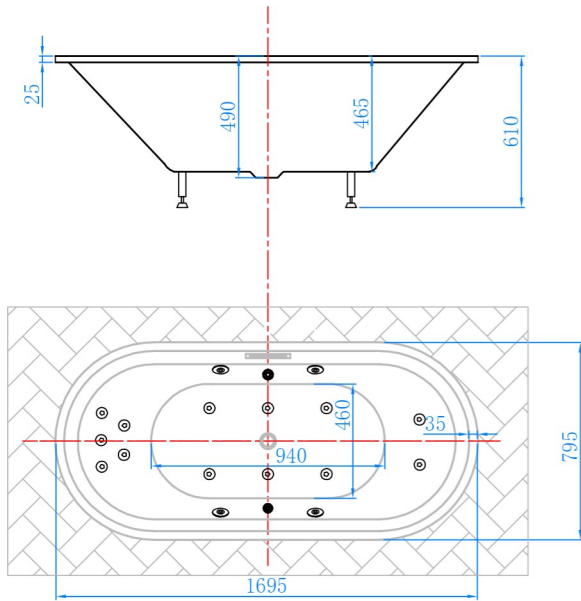


Model:Nautic Moderna I (1700), built-in, without faucet, Size:1695\*795\*610mm

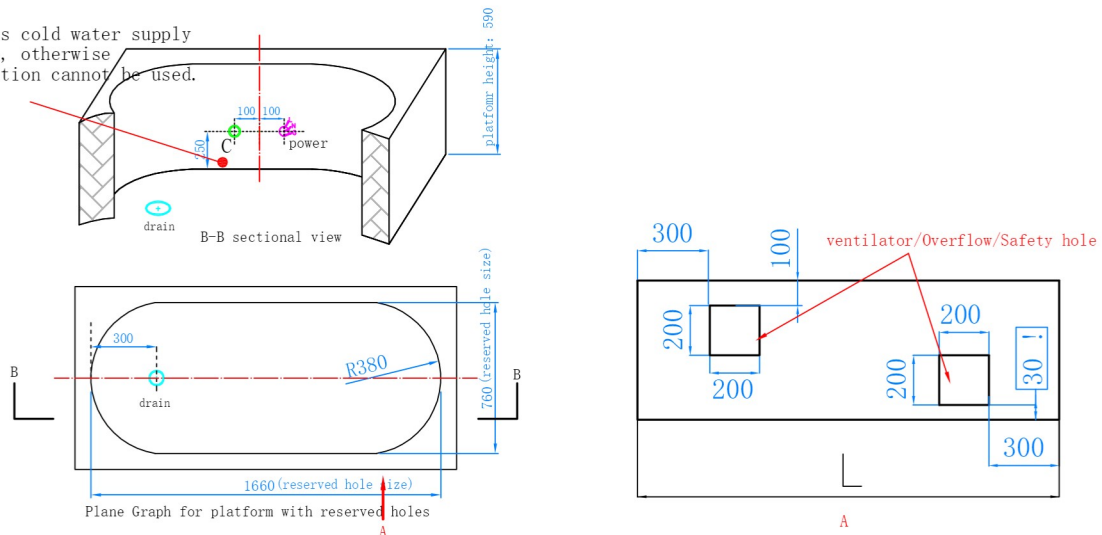
No.	Configuration	Sketch	Unit	Qty
1	HP1.5pump (220V, 50HZ)		set	1
2	turbo jets (can be closed)		pc	4
3	little jets (can be closed)		pc	13
4	pop-up drain		pc	1
5	1.5 suction net (with chromeplate cover)		pc	1
6	Chromatherapy light		pc	1
7	B6S touch control system		set	1
8	Stainless steel overflow		pc	1
9	1.2m flexible hoses		set	1
10	sealed floor drain		set	1



Plane Graph

Product Parameter List	
rated power/voltage/current of pump	1150W/220VAC/5.2A
Rated power/voltage/current of heater (optional)	1500W/220VAC/6.8A
maximum water consumption(L)	230
N. W. (KG)	
G. W. (KG)	

Special note: this cold water supply must be available, otherwise disinfection function cannot be used.



### water & power supply connection

- drain pipe(inner Diameter $\geq$ 50mm, for bathtub drainage), level with the ground.
- cold water supply pipe (length 30mm, G $\frac{1}{2}$ " metric external thread. C means cold water, to be connected to cleaning pipe of tub.)
- power line (length 200mm, size required: 3X2.5mm<sup>2</sup>. The product should be connected to a earth wire)

Note: For the built-in bathtub with electric appliance, the platform should have air vent, overflow port and safety exit(please refer to the attached installation statement). Drain pipe and the floor drain should be sealed, (Please refer to the attached installation statement). If did not do as requested, that means the product did not fixed correctly, the manufacturer will not offer after sales service!